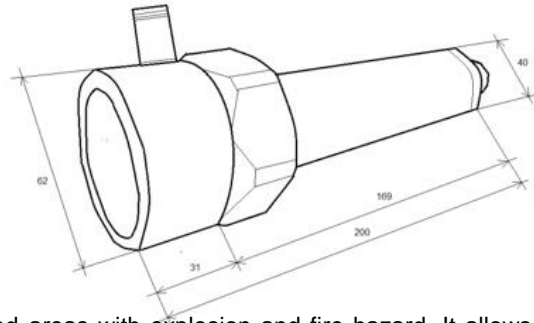




Fire and explosion protection

INFRARED (IR) FLAME DETECTOR LumEx1



The detector is designed to identify flame and sparks in enclosed areas with explosion and fire hazard. It allows to detect the flame and sparks in the monitored technological section and to convert and amplify this impulse to a signal suitable for further evaluation and processing. It is equipment with blowout to ensure the accuracy of IR spectrum. Use only in darkened spaces.

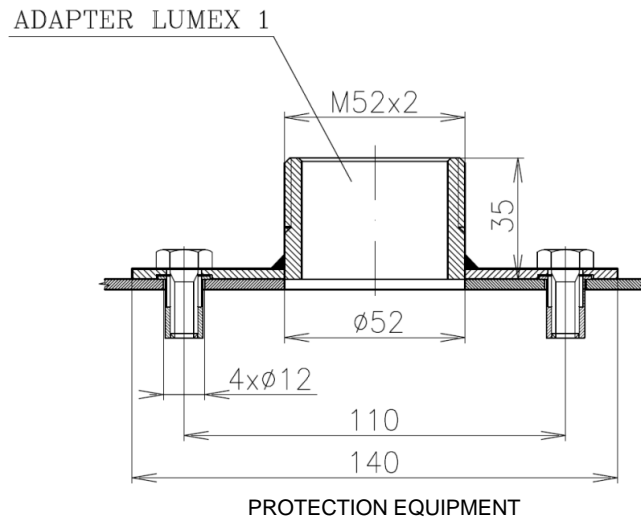
TECHNICAL PARAMETERS	
Operating voltage	8 to 27 Vss
Current consumption	< 45 mA
Power dissipation	< 0,25 W
Alarm impulse	cca 1 – 240 sec.
Response time	< 2 ms
Cover	IP 65
Spectral sensitivity IR	950 nm
Temperature range	-20°C to +80°C
Housing material	Stainless steel, Dural
Weight	1560g
Output	Resistance relay
Sensitivity degree	1 – 100%
Angle of view	110°
Dimensions	62 mm x 220 mm
Blowout air pressure	0,1 – 0,5 bar
Non-explosive design	II 1D/2D Ex tD A20/A21 T85°C II 3G Ex ic IIB T6

DATA SHEET





DIMENSION AND INSTALLATION OF LumEx1 ADAPTER



INSTALLATION ON PIPING

