

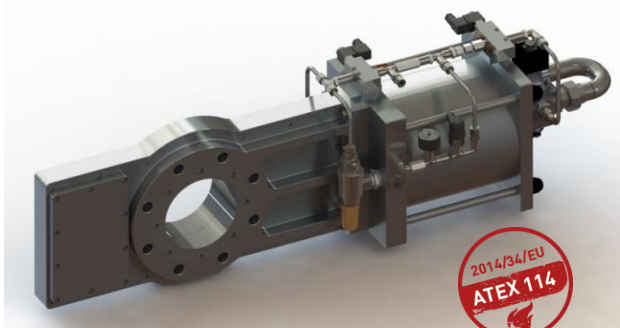


# Fire and explosion protection

## EXPLOSION ISOLATION SLIDE GatEx

In the case that in technology occurs an explosive atmosphere in the form of suspended dust cloud and provided the contact of this cloud with the source of initiation, may occur for immediate explosion

Explosion isolation slide GatEx is used for the separation of individual devices and prevent the transmission of explosion from one part of the technology to the other connecting pipe. GatEx is installed on a pipe in which flows air together with the transported material. An integral part of the GatEx is the pressure sensor DetEx, the control unit CONEX and CONEX-IVM. In the event of an explosion is increased (gun) pressure captured DetEx, which sends this signal to the control unit CONEX IVM.



CONEX IVM is used to monitor the basic status of GatEx and manual closing or opening. Information about the increased explosion pressure subsequently continues to the control unit CONEX, where the signal is evaluated as an explosion. Conex then sends a signal again via CONEX-IVM to the GatEx quick-release valve, which by moving it from the initial position causes the compressed air to blow out of the air into the pneumatic cylinder, thereby closing the GatEx.

The GatEx is designed in accordance with European Directive 2014/34/EU, based on EN 15 089. The GatEx falls into the group II of device, for the zone 20 and 0 inside the slide and for zone 22 and 2 outside the slide.

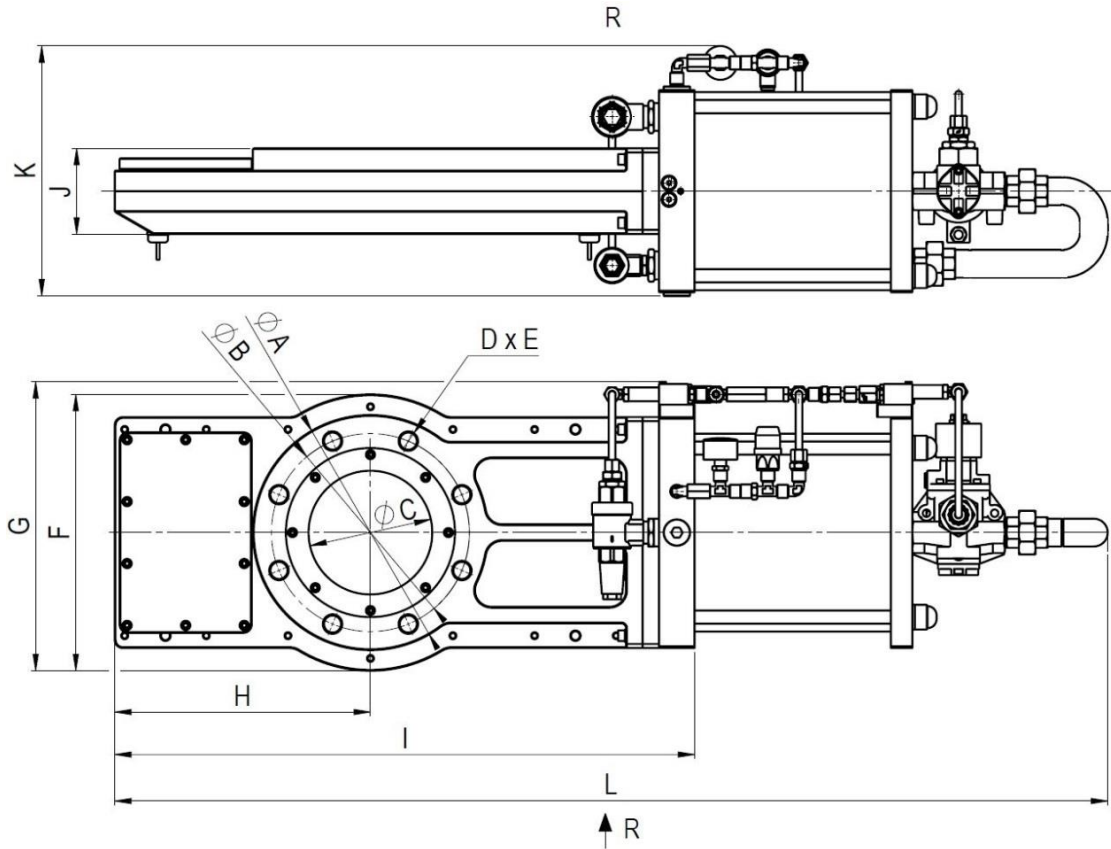
MATERIAL DESIGN	
Body	Aluminium alloy
Cutting edge	Stainless steel
Insert body	Stainless steel
Flange basked	EPDM Supplied with GatEx
Bolting material for attaching slide to the pipeline route	DIN 933 screws (strength 8.8), flat washers DIN 125; flexible washers DIN 128. All supplied with GatEx
Flange	Based on EN 1092

OPTIONAL ACCESSORIES	
Unit for adjustment of compressed air - Filter	It serves to filter air before entering the GatEx slide.
Heated bag	Heated bag allows the outdoor instalation.

THERMAL CHARACTERISTIC OF GatEx	
Ambient temperature	-5 to 50 °C (with heated bag from – 30°C, with next special components to 70°C)
Working temperature	-10 to 100 °C
Storage temperature	10 to 40 °C

DATA SHEET





## BASIC PRODUCT RANGE AND DIMENSION:

DN (mm)	A (mm)	B (mm)	C (mm)	D	E	F (mm)	G (mm)	H (mm)	I (mm)	J (mm)	K (mm)	L (mm)	Weight (kg)
50	165	125	50	4	M16	230	280	193	436	104	299	837	42
65	185	145	65	8	M16	245	288	202,5	468	104	299	884	47
80	200	160	80	8	M16	260	295	205	493	104	299	924	49
100	220	180	100	8	M16	280	323	235	553	104	303	1004	57
125	250	210	125	8	M16	305	335	273	628	104	303	1104	63
150	285	240	150	8	M20	335	350	310	703	104	303	1204	71



# Fire and explosion protection

## HEATED BAG FOR GatEx

GatEx explosion isolation valve installed outdoors can be protected against weather and climatic influences (rain, snow, frost, ice, etc.) by using a heated bag with thermal isolation.

Heating the explosion isolation valve increases the temperature range of its applicability.

The bag is dimensionally matched to the GatEx product range.

The explosion isolation valve heating is realized by a self-regulating heating cable, the temperature is controlled by a capillary thermostat.

The heated bag falls into the group of devices II, for the zone outside the explosion isolation valve 22 and 2.



DATA SHEET

### MATERIAL

Outer and inner surface of the bag	Antistatic high temperature glass fiber fabric with Teflon™ water-repellent protective and chemically resistant abrasion resistant coating.
Isolation layer	Glass fiber insulation mat
Heating	Self-regulating heating cable
Temperature control	Capillary thermostat

### TEMPERATURE CHARACTERISTICS OF GATEX WITH HEATED BAG

Ambient temperature	-30°C to + 50°C (with next special components to 70°C)
Storage temperature	+10°C to +40°C

